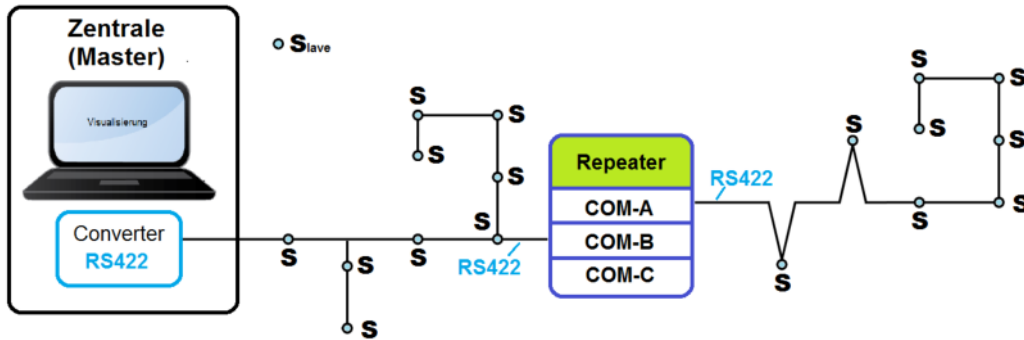


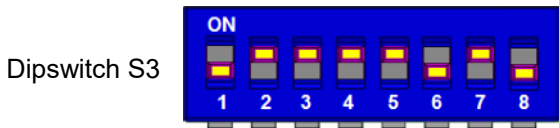
Repeater base module CM11

Practical examples:

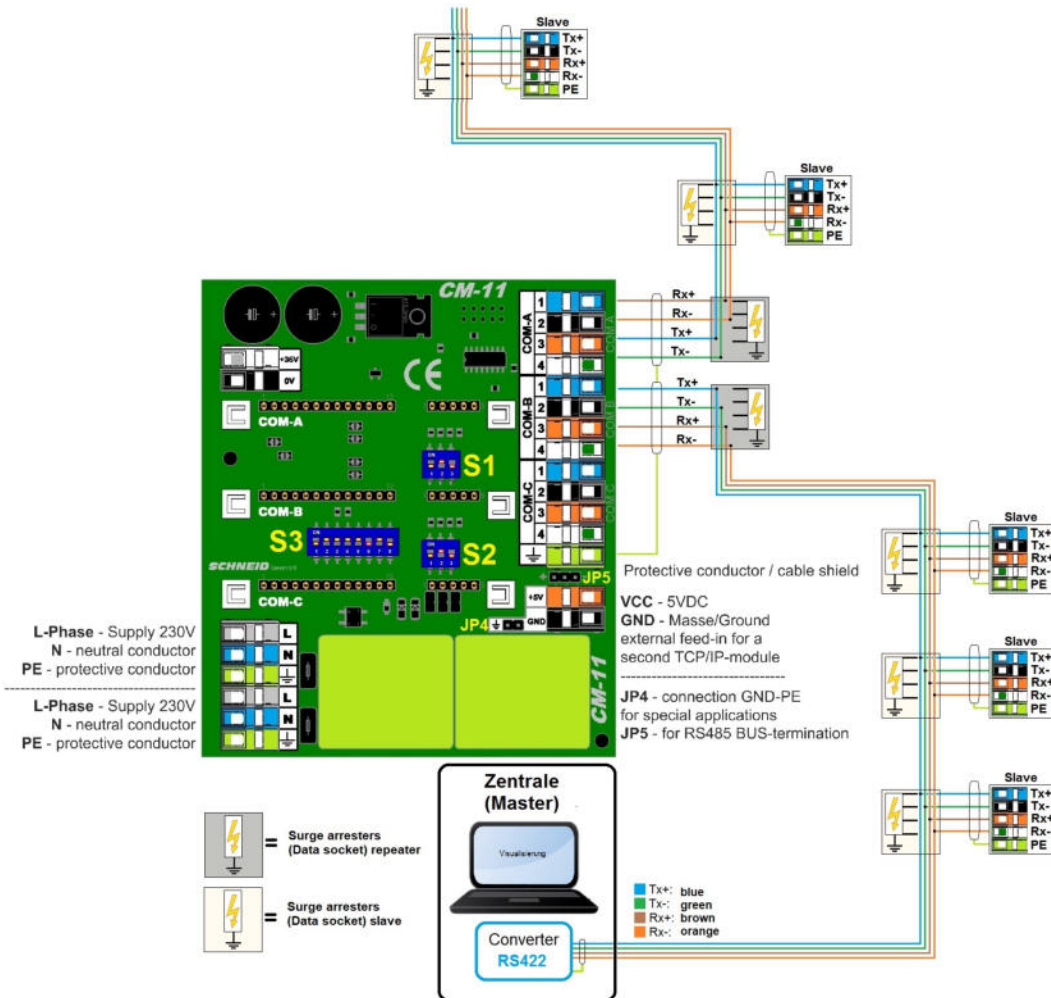
Standard FSS-Repeater RS422 --> RS422



COM-A = RS422 module
COM-B = RS422 module

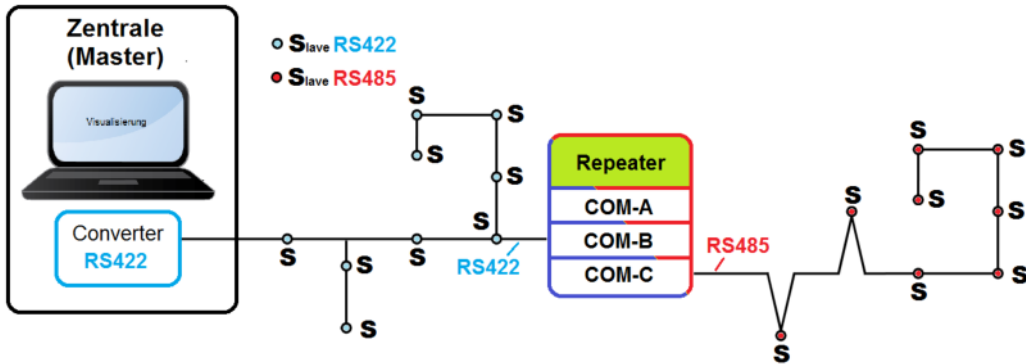


Dipswitch S1 and S2 (RTS delay) according to baud rate and table



Repeater base module CM11

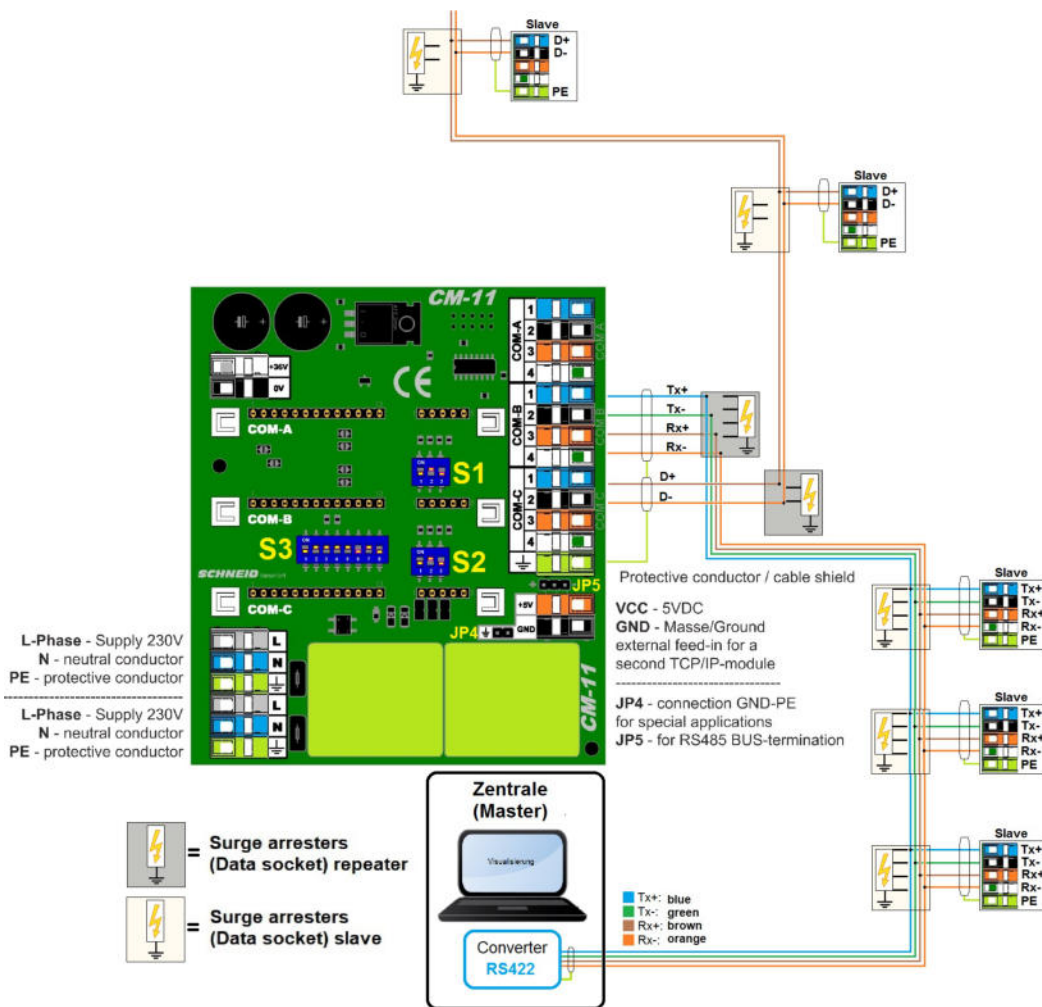
Repeater RS422 --> RS485



COM-B = RS422 module
COM-C = RS485 module

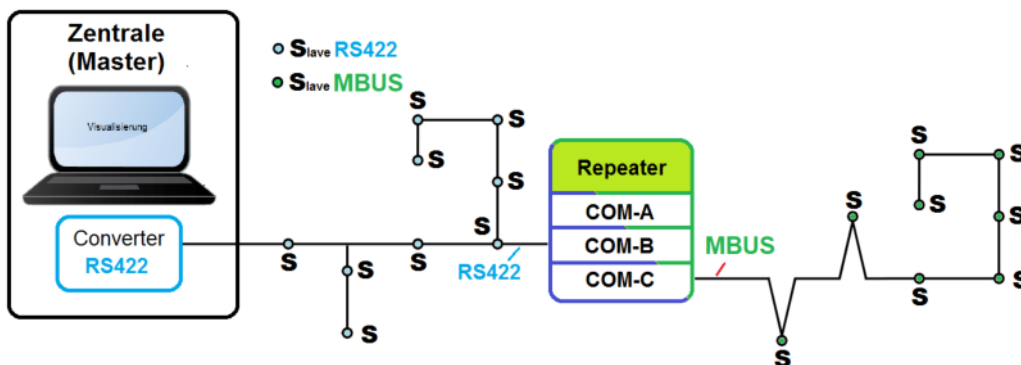


Dipswitch S1 and S2 (RTS delay) according to baud rate and table



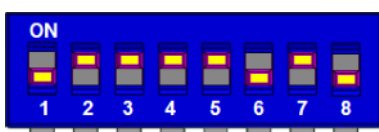
Repeater base module CM11

Repeater RS422 --> MBus-Master08

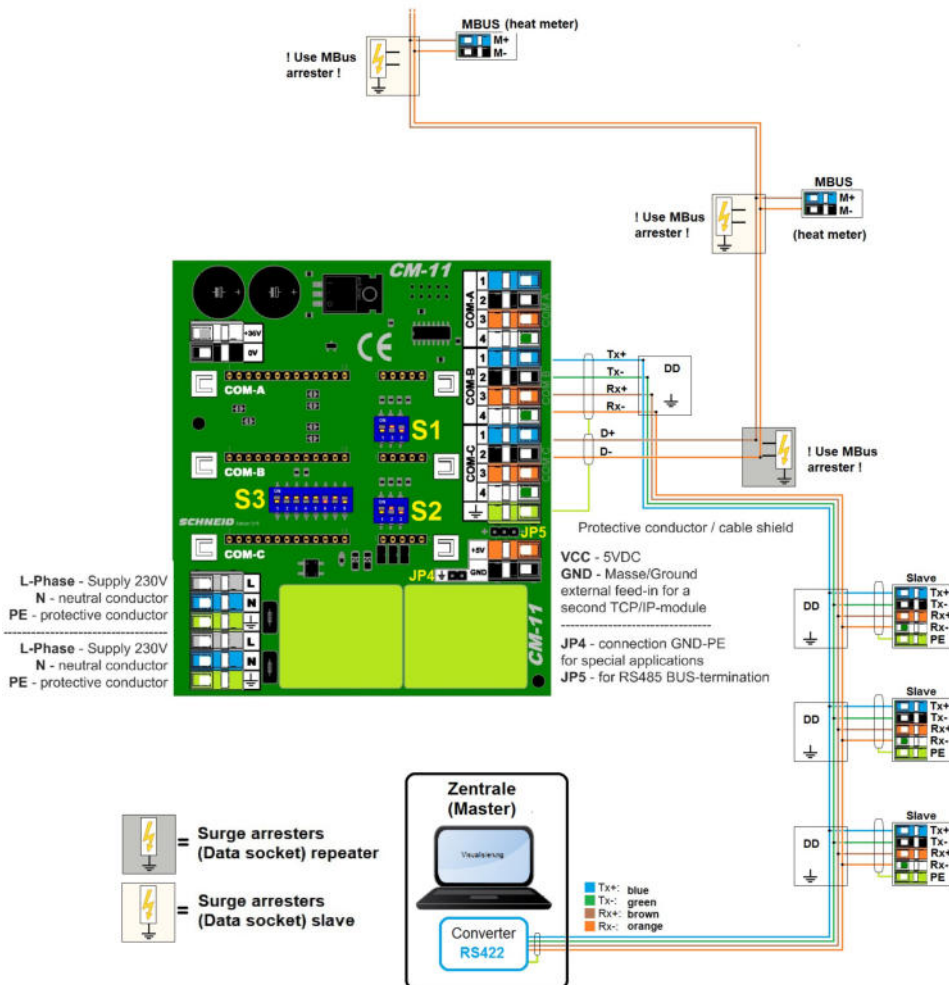


COM-B = RS422 module
COM-C = MBusMaster08 module

Dipswitch S3

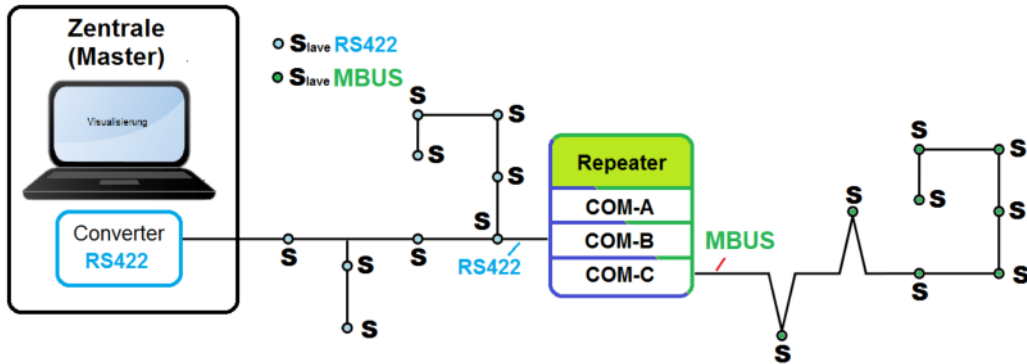


Dipswitch S1 and S2 (RTS delay) according to baud rate and table.

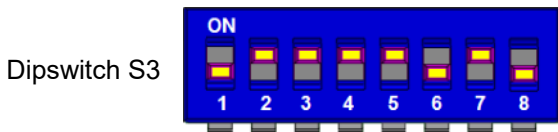


Repeater base module CM11

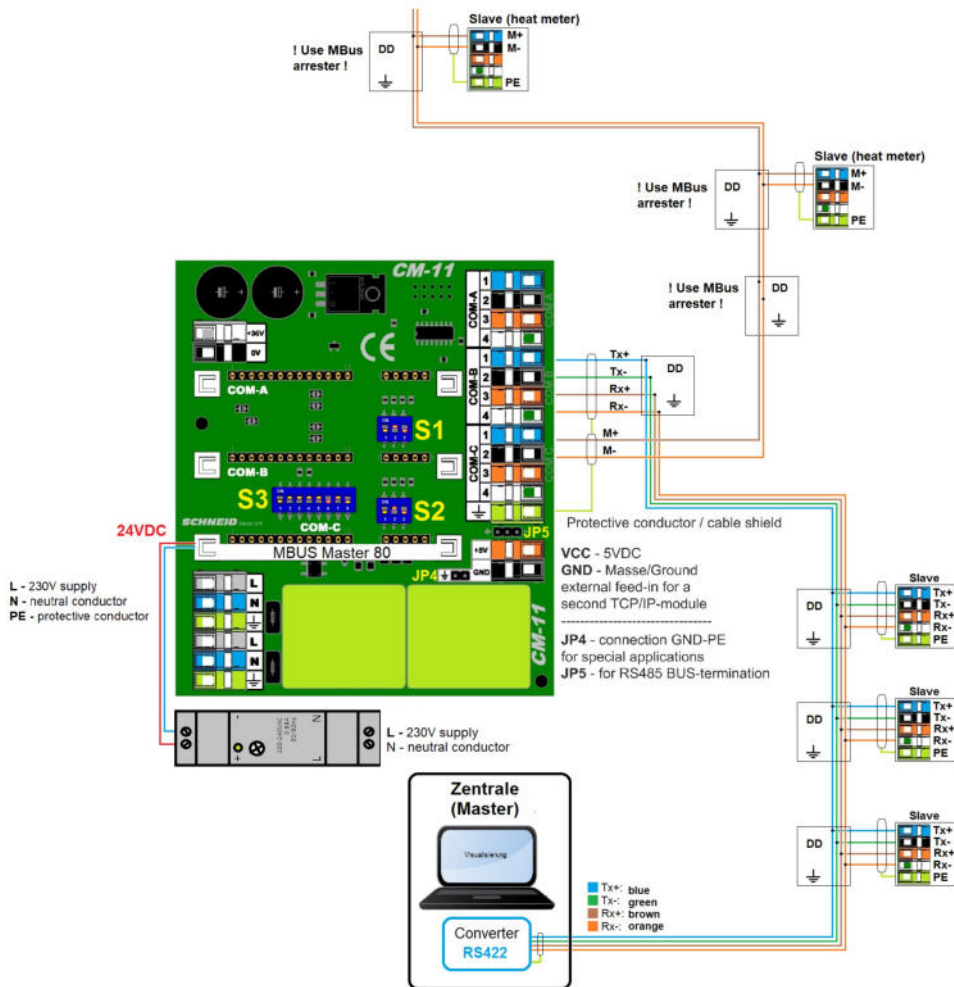
Gateway RS422 --> MbusMaster80



COM-B = RS422 module
COM-C = MbusMaster80 module

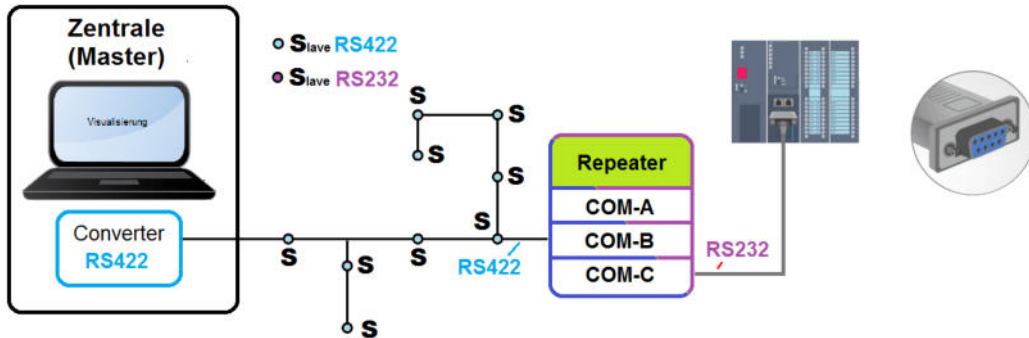


Dipswitch S1 and S2 (RTS delay) according to baud rate and table.



Repeater base module CM11

Gateway RS422 --> RS232

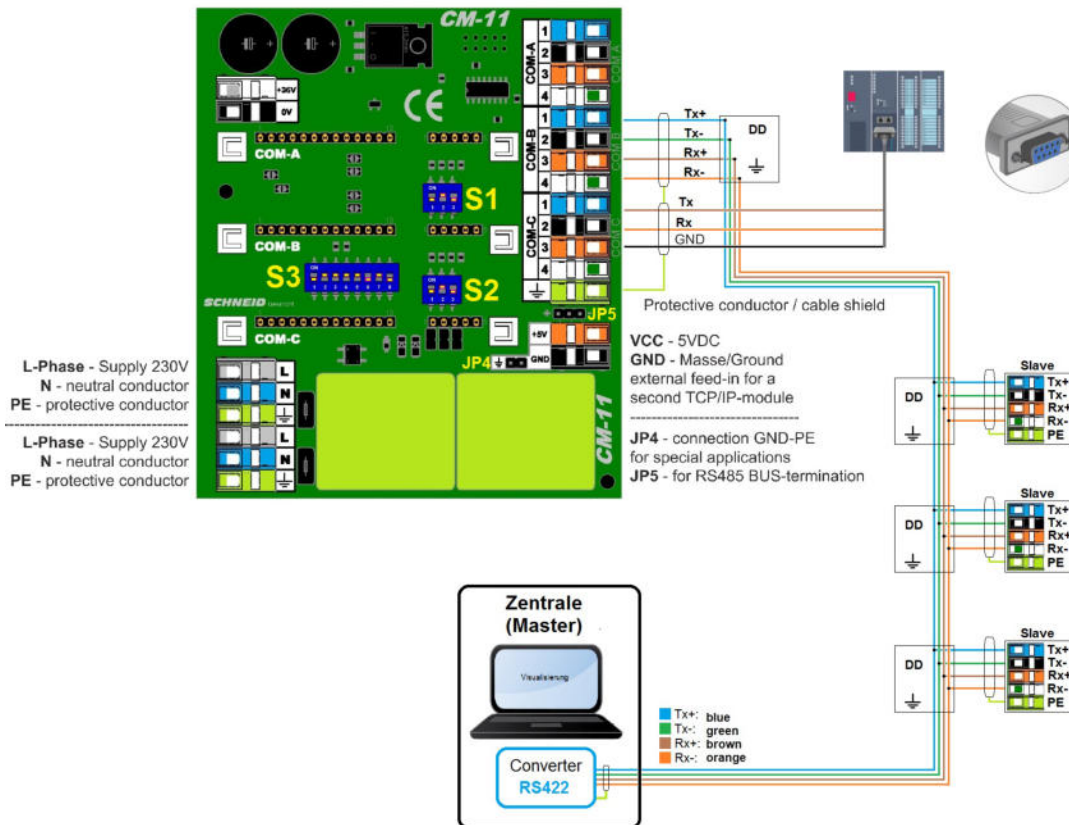
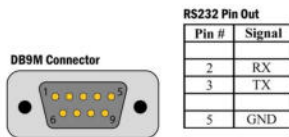


COM-B = RS422 module
COM-C = RS232 module

Dipswitch S3

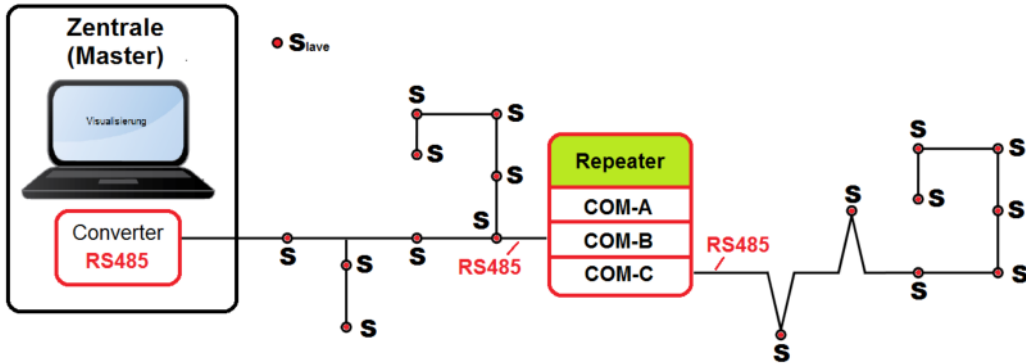


Dipswitch S1 and S2 (RTS delay) according to baud rate and table

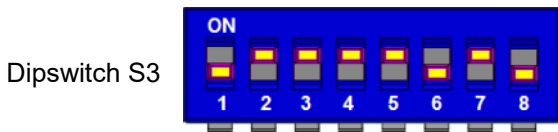


Repeater base module CM11

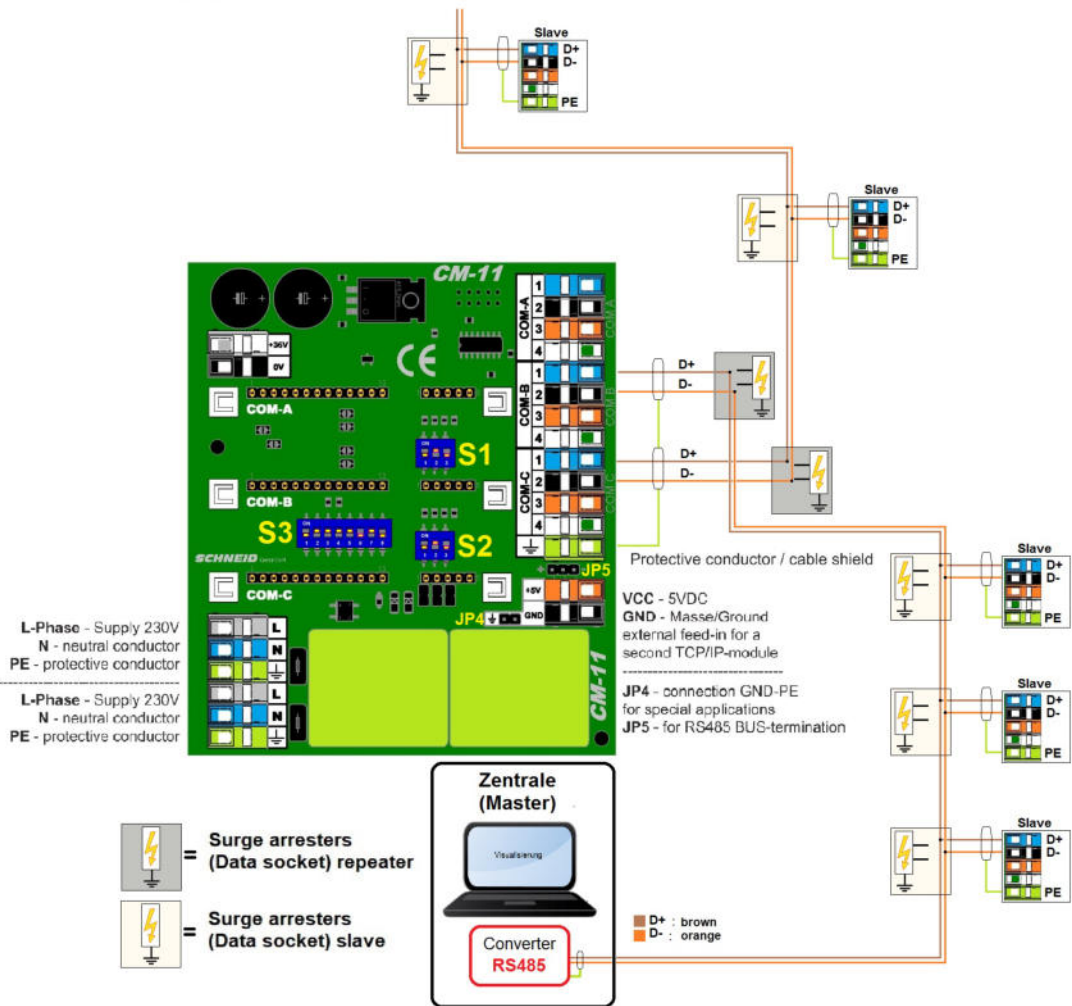
Repeater RS485 --> RS485



COM-B = RS485 module
COM-C = RS485 module

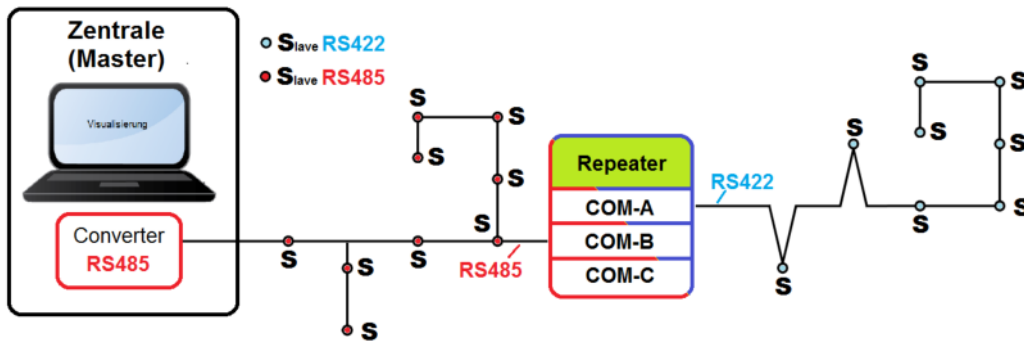


Dipswitch S1 and S2 (RTS delay) according to baud rate and table.

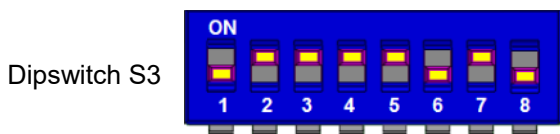


Repeater base module CM11

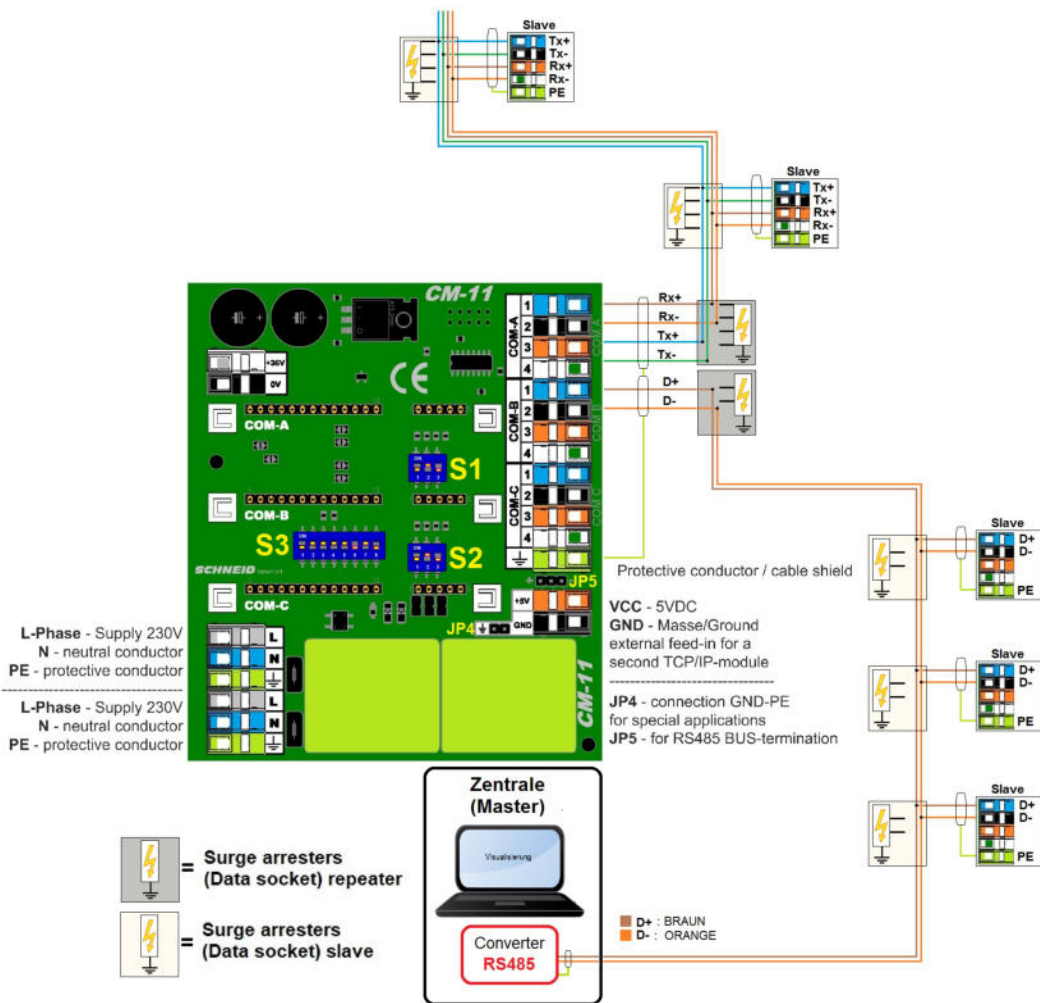
Repeater RS485 --> RS422



COM-A = RS422 module
 COM-B = RS485 module

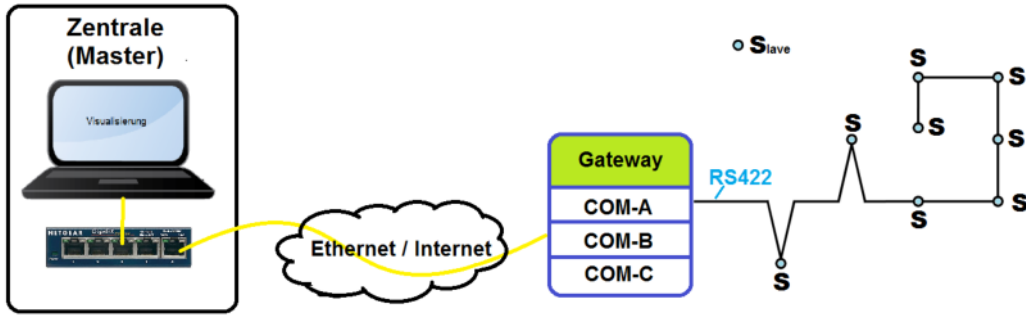


Dipswitch S1 and S2 (RTS delay) according to baud rate and table.



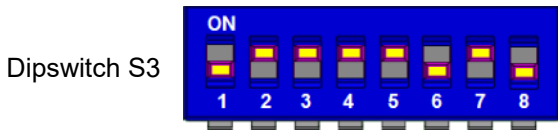
Repeater base module CM11

Gateway TCP/IP --> RS422

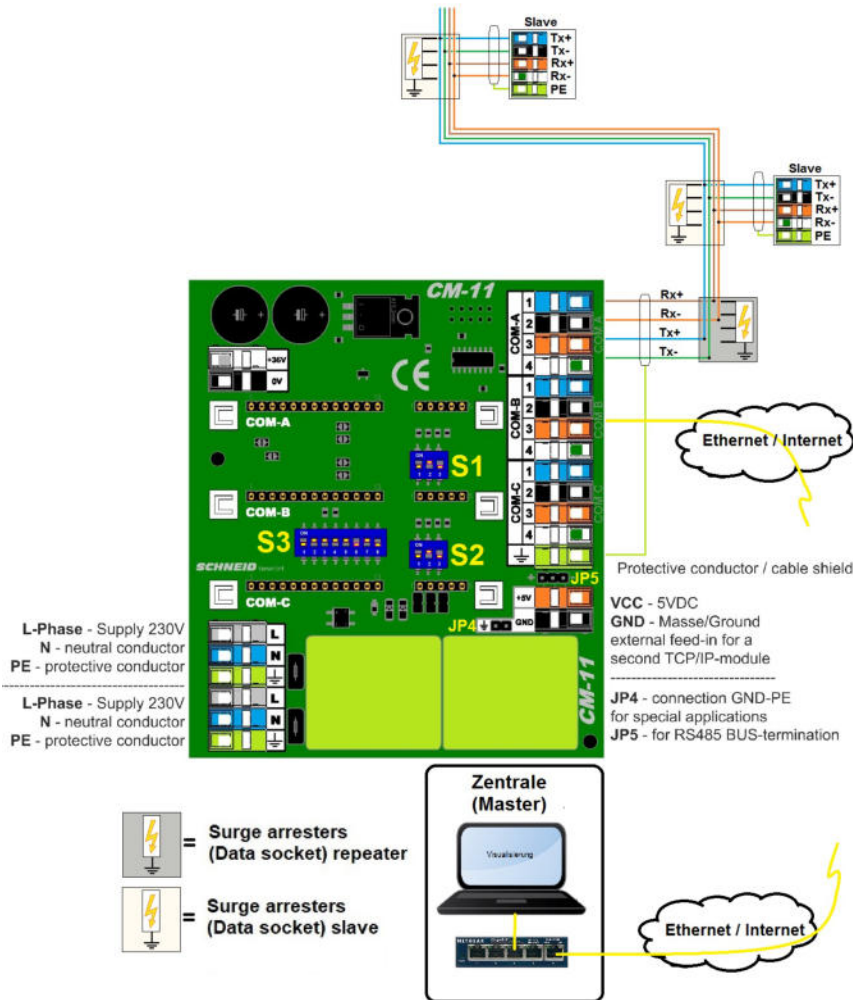


COM-A = RS422 module

COM-B = CM08-TCP module (Wiznet) or CM06-TCP module (Tibbo)

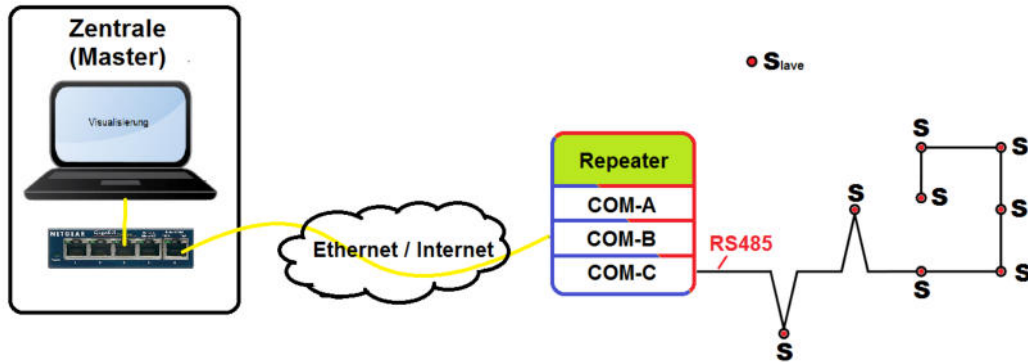


Dipswitch S1 and S2 (RTS delay) according to baud rate and table.

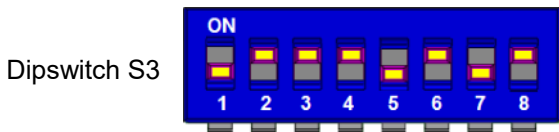


Repeater base module CM11

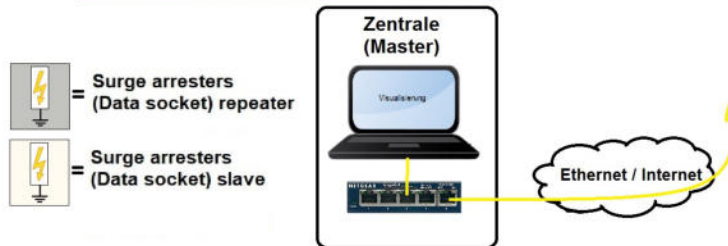
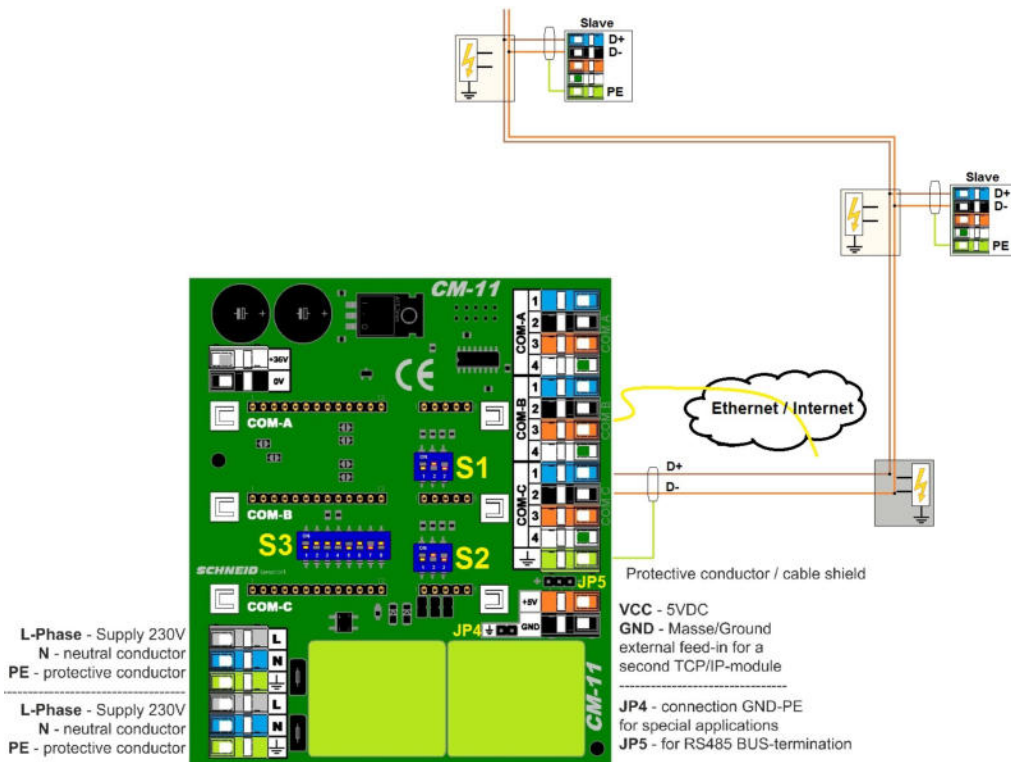
Gateway TCP/IP --> RS485



COM-B = CM08-TCP module (Wiznet)
 COM-C = RS485 module (configured as master)

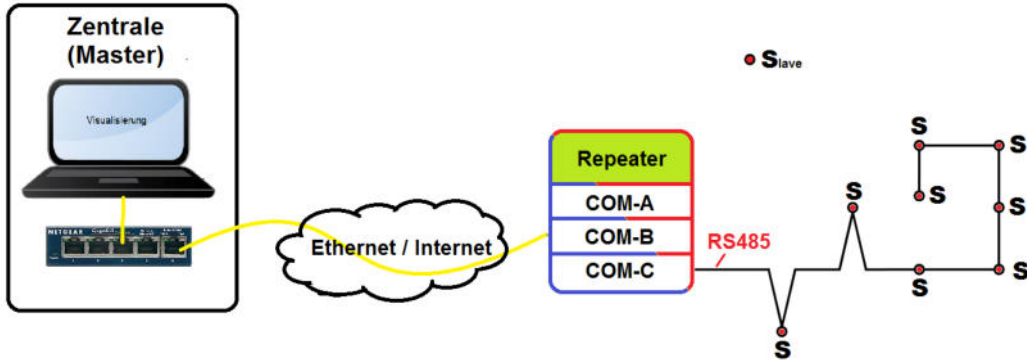


Dipswitch S1 and S2 (RTS Delay) no function in this case.



Repeater base module CM11

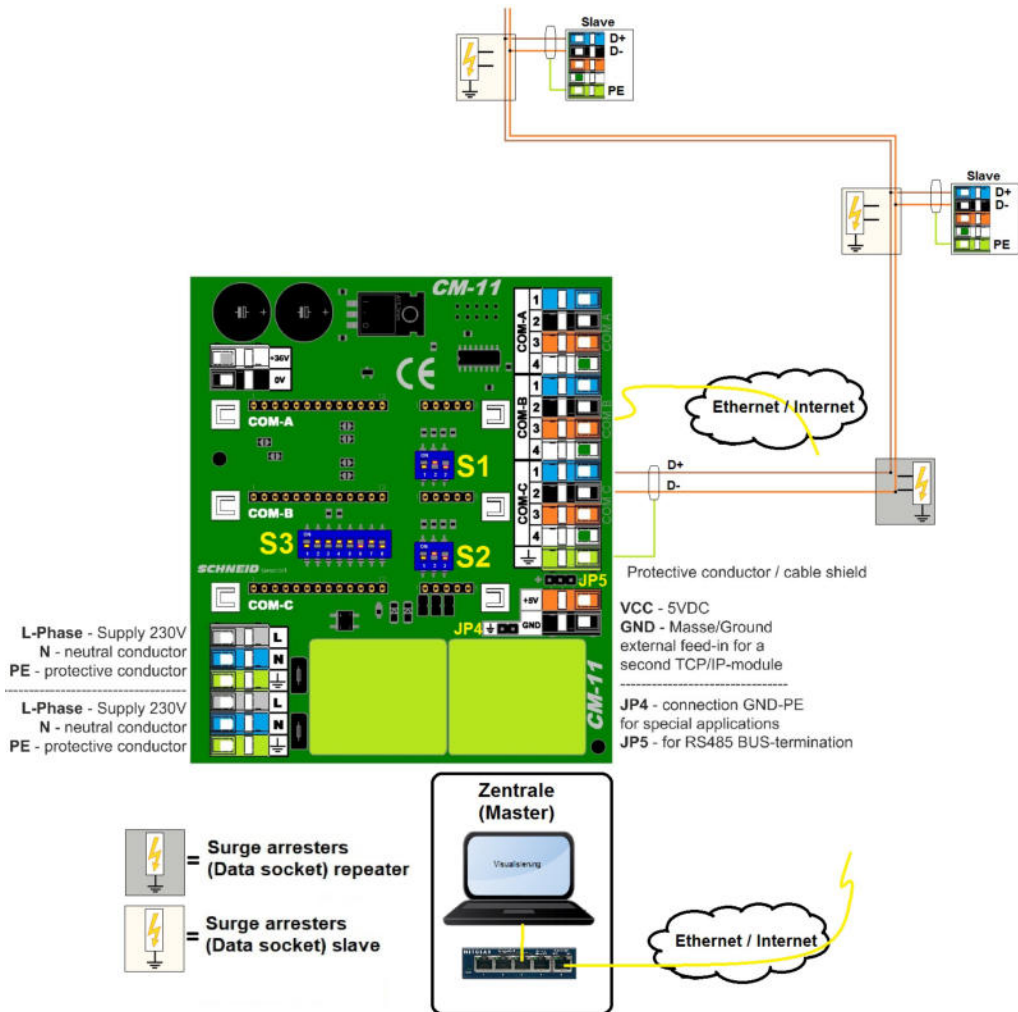
Gateway TCPIP --> RS485 / ALTERNATIVBESTÜCKUNG (TCPIP-CM06)



COM-B = CM06-TCP module (Tibbo)
 COM-C = RS485 module (configured as master)

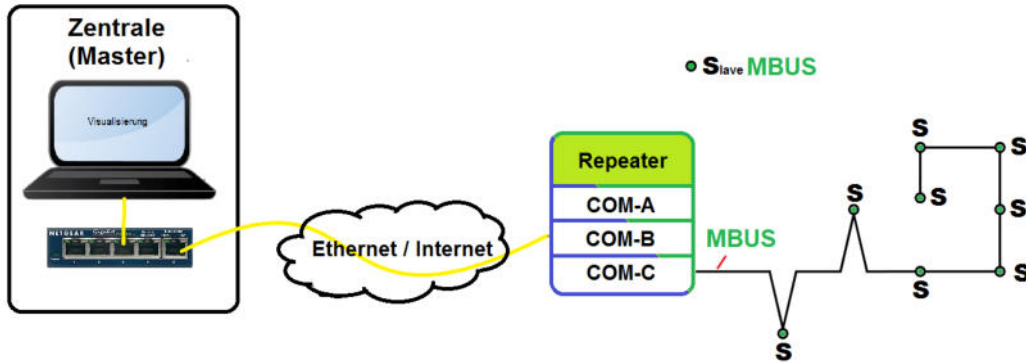


Dipswitch S1 and S2 (RTS delay) according to baud rate and table.



Repeater base module CM11

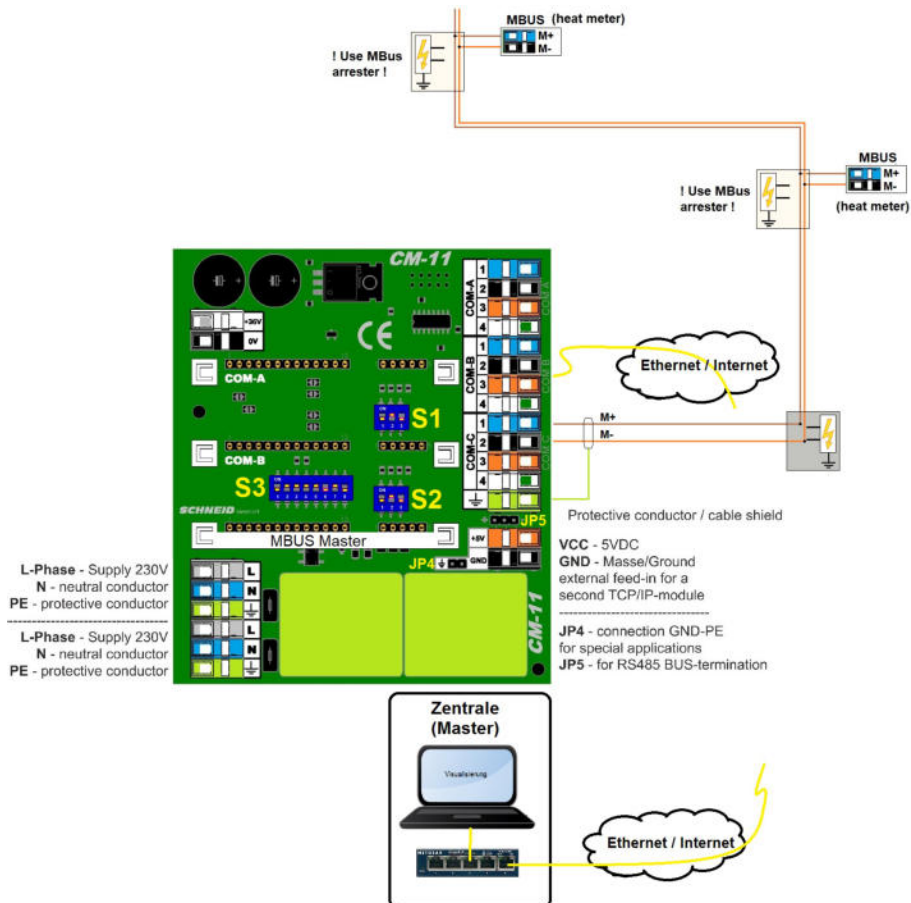
Gateway TCP/IP --> MbusMaster08



COM-B = CM08-TCP module (Wiznet) or CM06-TCP module (Tibbo)
 COM-C = Mbus-Master08 module

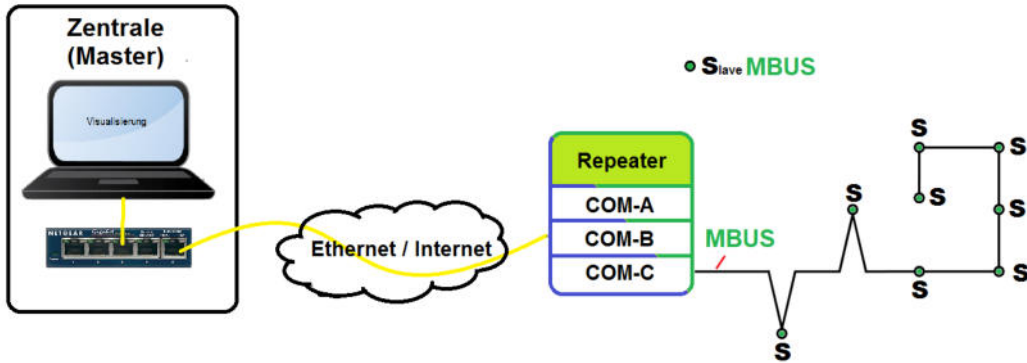


Dipswitch S1 and S2 (RTS delay) according to baud rate and table.

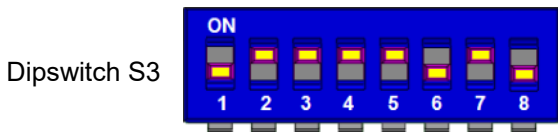


Repeater base module CM11

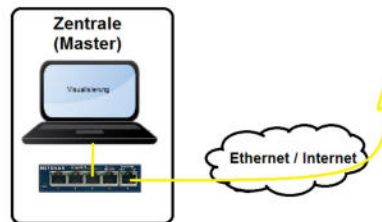
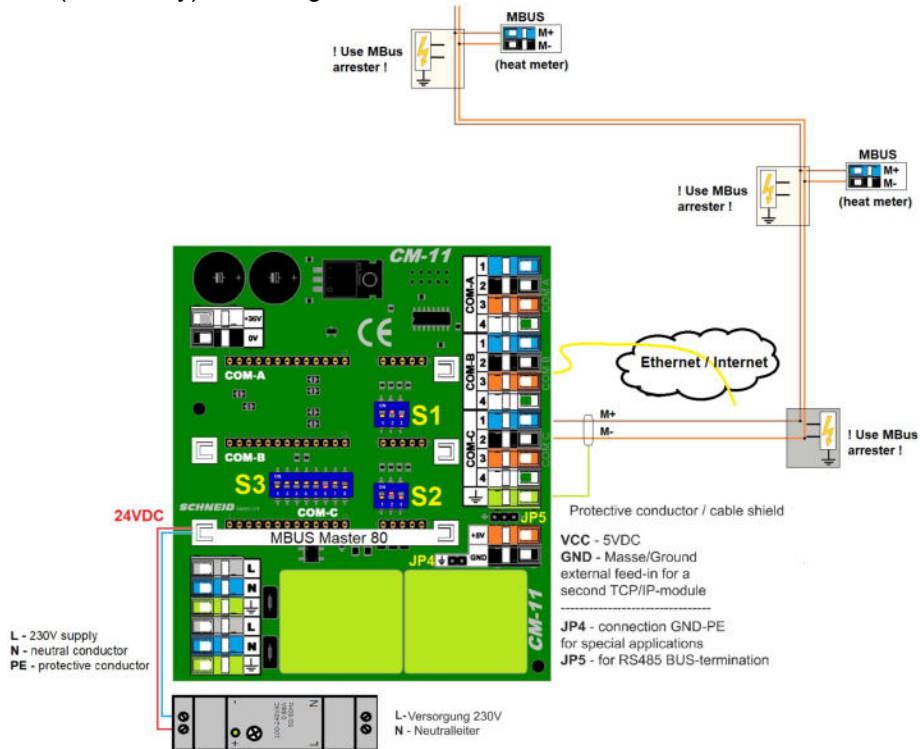
Gateway TCP/IP --> MbusMaster80



COM-B = CM08-TCP module (Wiznet) or CM06-TCP module (Tibbo)
 COM-C = Mbus-Master80 module

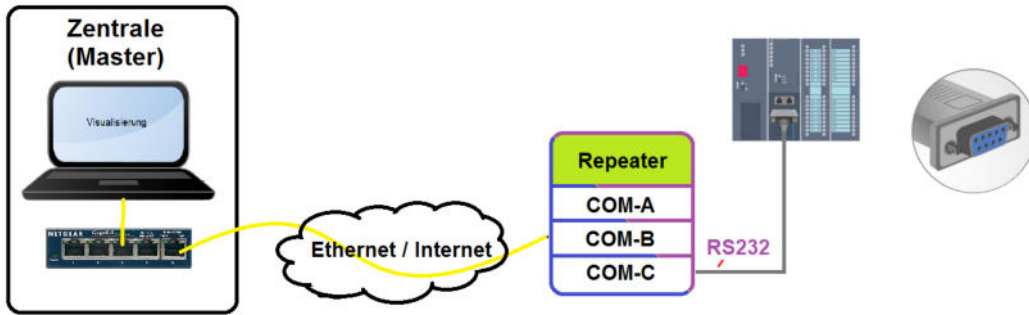


Dipswitch S1 and S2 (RTS delay) according to baud rate and table.

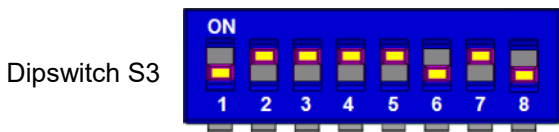


Repeater base module CM11

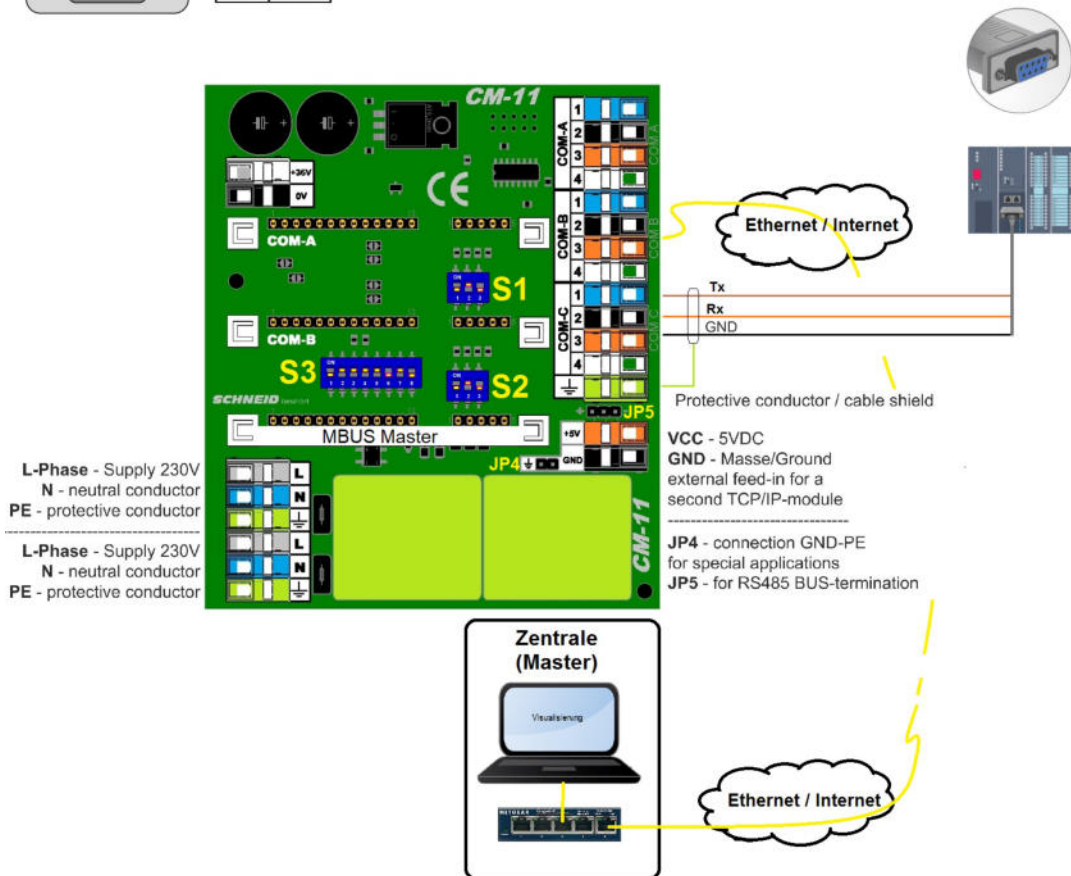
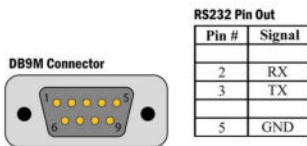
Gateway TCPIP --> RS232



COM-B = CM08-TCP module (Wiznet) or CM06-TCP module (Tibbo)
 COM-C = RS232

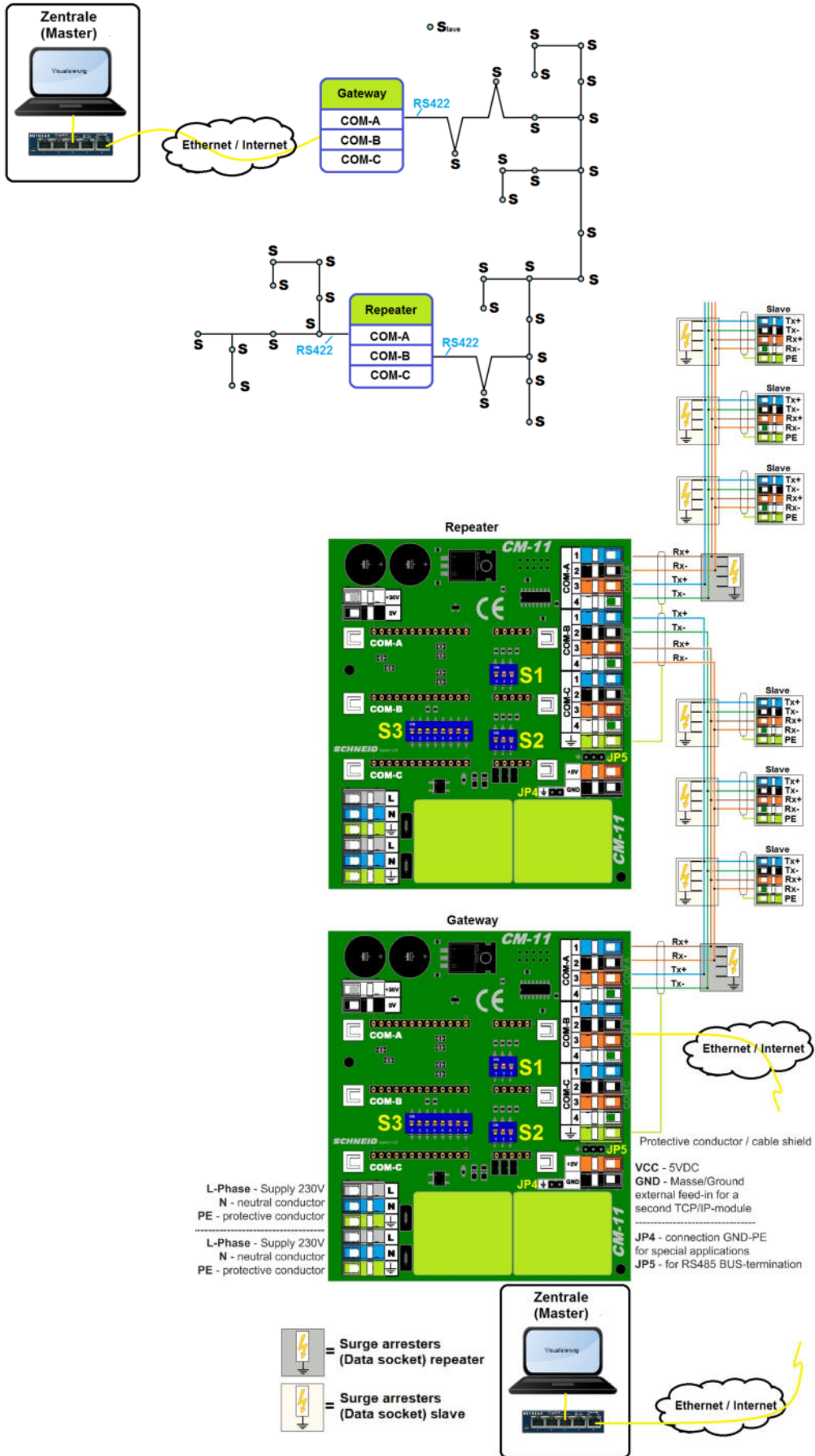


Dipswitch S1 and S2 (RTS Delay) no function in this case.



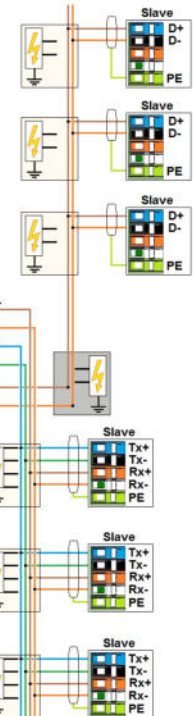
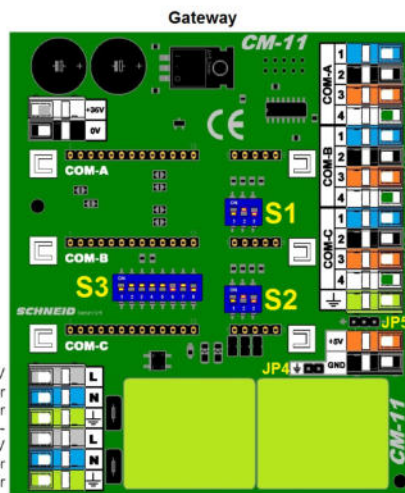
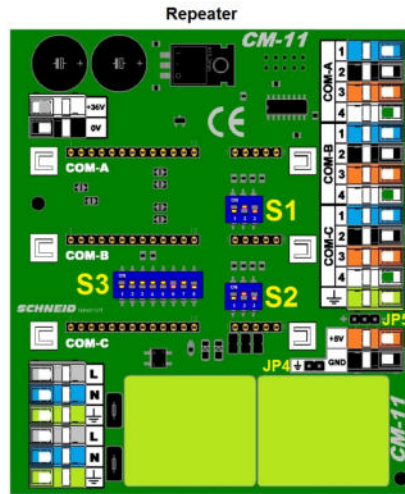
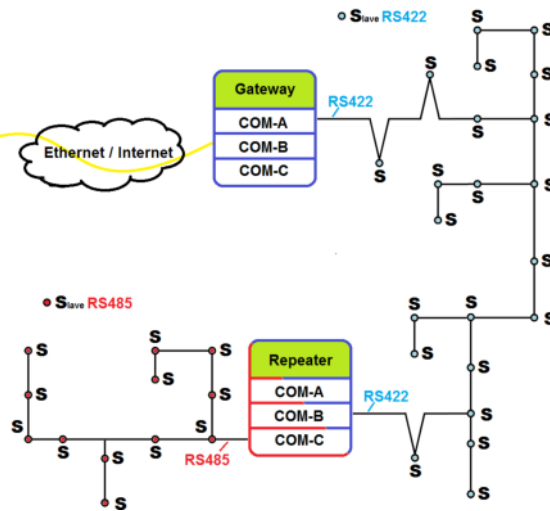
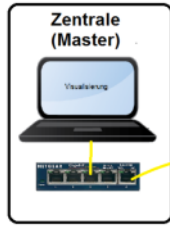
Repeater base module CM11

Special examples



Repeater base module CM11

Special examples



L-Phase - Supply 230V
N - neutral conductor
PE - protective conductor

L-Phase - Supply 230V
N - neutral conductor
PE - protective conductor

Protective conductor / cable shield
VCC - 5VDC
GND - Masse/Ground
external feed-in for a second TCP/IP-module
JP4 - connection GND-PE for special applications
JP5 - for RS485 BUS-termination

